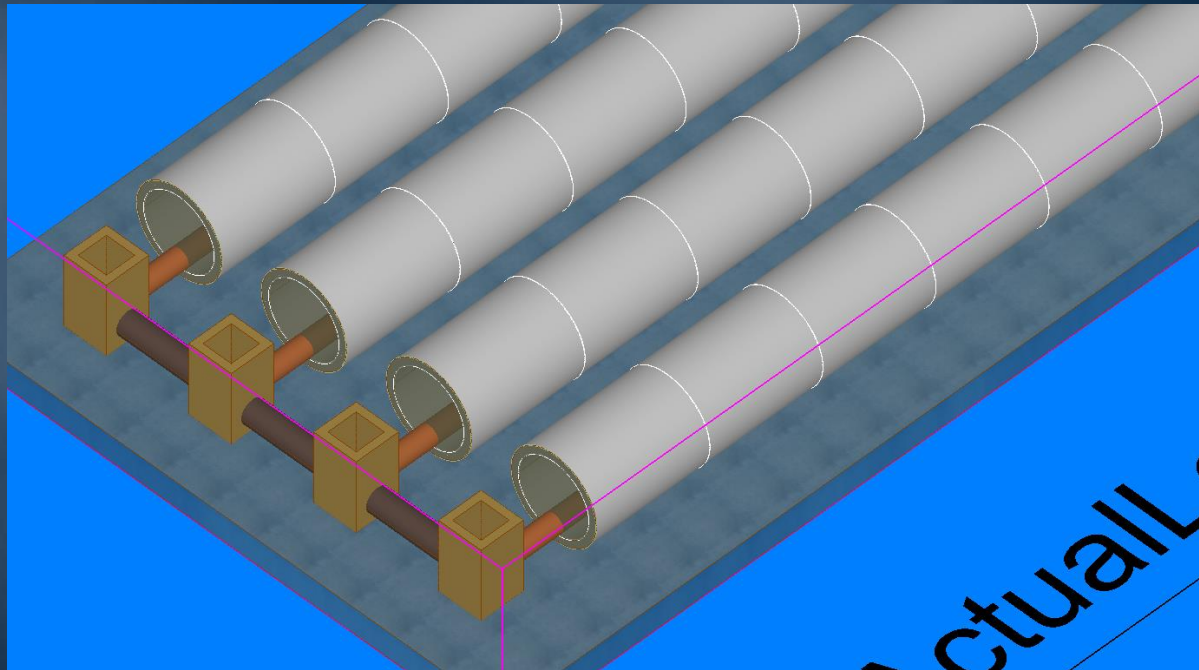


Aquifer

UNDERGROUND STORM WATER DETENTION SYSTEM

Purpose

Generate underground storm water detention solutions and drawings.



Use your products for solutions

Product

Summary

Product code	Category	Description	Shape
CABB242460W6	Catchbasin	24"x24"x60" Catch Basin Base 6	Rectangle
Product group	Material	Site	Unit of measure
Catch Basin Rectangular (I)	Concrete	Nashville	IMPERIAL
Top joint type	Bottom joint type	Price per	Cost per
Box Culvert 10 foot	Box Culvert 10 foot	160.00	100.00

ft

ft

Dimensions

Details

Inside X section area	Outside X section area	Weight (lb)	Product cap code
400.00	500.00	1,000.00	
Bedding thickness in	Distance between laterals in	Between lat and excavation in	Initial fill in
6.00	18.00	18.00	0.00
Base height in			

OK Cancel

Define requirements for a solution

Retention System Requirements

Order

Order Number	Customer	Project	Location
50000909	Customer-005	Shopping Mall	Franklin

System

Name	Unit of Measure	Rock Installation
parking lot 1	IMPERIAL	<input type="checkbox"/>

Volume (cubic ft)	Maximum Width ft	Maximum Length ft	Maximum Depth ft
10000.00	150.00	150.00	12.00

Stone Cost (cubic ft)	Excavation Cost (cubic ft)	Crew Cost	Stone Weight (cubic ft)
\$2.00	\$5.00	\$1.00	1.00

Connecting Products

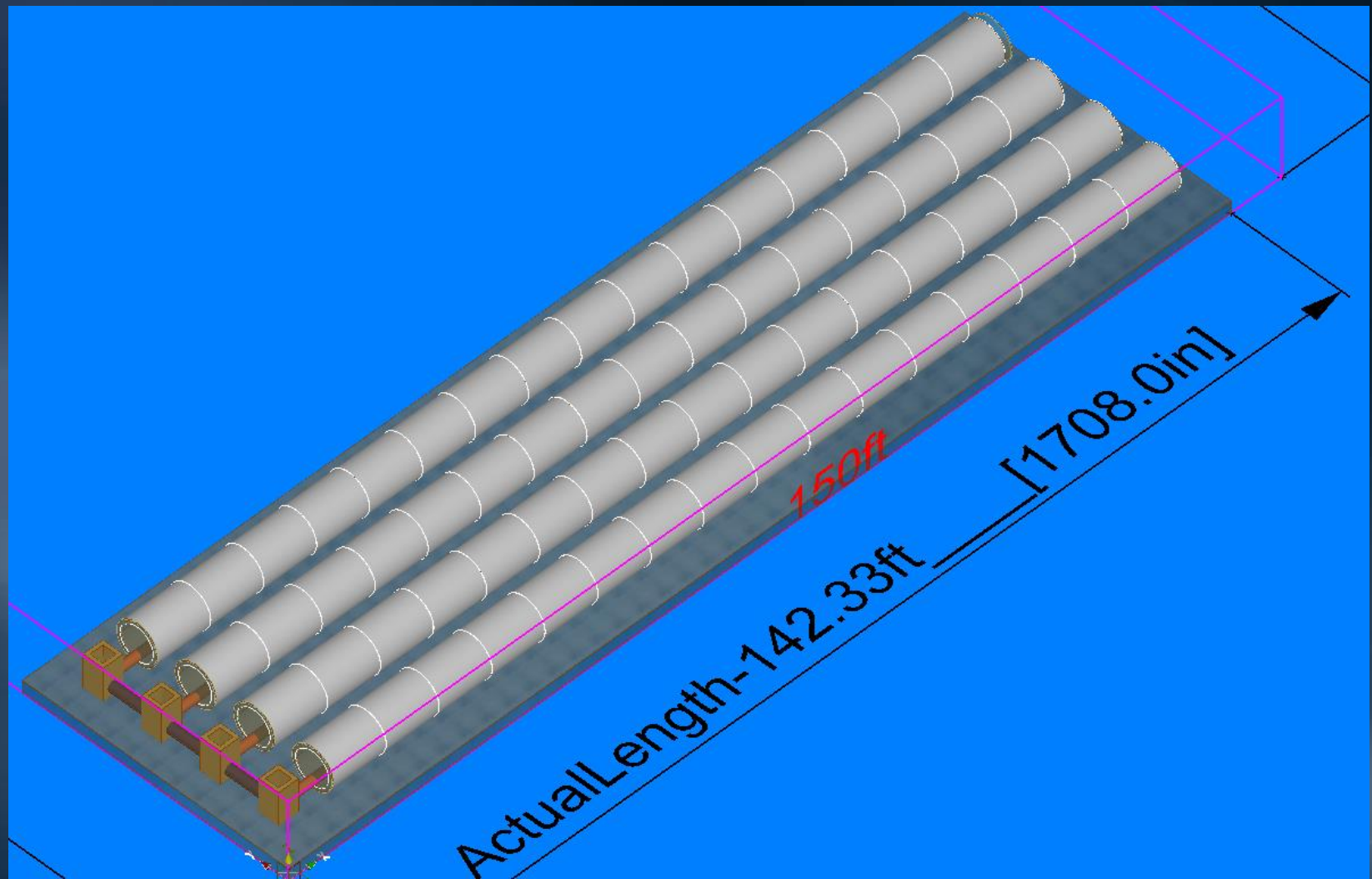
Catchbasin to Lateral Pipe Type	Catchbasin to Catchbasin Pipe Type
RCP1238SWcon	RCP1538SWcon

Overrides


Catchbasin to Lateral in	Bedding Thickness in	Distance between Laterals in	Lat and Excav Separation in
44.00	22.00	34.00	46.00

OK Cancel


Dimensioned drawings



Calculation details

		Retention System Summary and Calculations		Jun 02, 2016	
		parking lot 1		IMPERIAL	
Customer	Project	Order Number	Location		
Customer-005	Shopping Mall	50000909	Franklin		
Requirements					
Required Volume	(cubic ft)	Max Width	ft	Max Length	ft
10000.00		150.00		150.00	12.00
Products used					
Lateral Product Class	Lateral Product Code	Manifold Product Class	Manifold Product Code		
Box Culvert (I)	BOX1086	Box Culvert (I)	BOX1086		
Solution Dimensions					
Calculated Volume	(cubic ft)	Max Width (override)	ft	Max Length (override)	ft
10009.99		150.00		150.00	12.00
Summary					
Number Of Laterals	Pieces Per Lateral	Lateral Pieces Required	Lateral Piece Length		
1.00	21.00	21.00	72.00		
Catchbasin To Lateral	in	Manifold And Pipe Length	Total Lateral Length	in	
44.00	218.00	1788.00	1512.00		
Calculated Height Lateral	ft	Calculated Width	ft	Calculated Height Manifold	Bedding Height
11.50	19.33	7.83	22.00		
Viability					
Calculated Price			Is Viable		
\$86,048.16			Y		
Excavation					
Volume	(cubic ft)	Unit Cost	(cubic ft)	Total Cost	
33,127.67		\$5.00		\$165,638.33	
Bedding					
Volume	(cubic ft)	Unit Cost	(cubic ft)	Total Cost	
5,281.22		\$2		\$10,562	
Product Outside Volume					
Volume	(cubic ft)	(cubic ft)			
14,199.40					
Backfill					
Volume	(cubic ft)	Unit Cost	(cubic ft)	Total Cost	
13,647.04					

Bill of Materials

 FORTERRA		PIPE & PRECAST	Bill of Materials <i>parking lot 1</i>		Jun 02, 2016 <i>IMPERIAL</i>	
Customer Customer-005	Project Shopping Mall	Order Number 50000909	Location Franklin			
Laterals						
Product Code	Quantity	Unit Price	Unit Cost	Total Price	Total Cost	Profit
BOX1086	21	\$1,200	\$600	\$25,200	\$12,600	\$12,600
Manifold						
Product Code	Quantity	Unit Price	Unit Cost	Total Price	Total Cost	Profit
BOX1086	1	\$1,200	\$600	\$1,200	\$600	\$600
End Caps for Laterals						
Product Code	Quantity	Unit Price	Unit Cost	Total Price	Total Cost	Profit
BOX1086CAP	2	\$2,115	\$1,396	\$4,230	\$2,792	\$1,438
Catchbasin to Lateral Pipe						
Product Code	Quantity	Unit Price	Unit Cost	Total Price	Total Cost	Profit
RCP1238SWcon	1	\$84	\$35	\$84	\$35	\$49
Catchbasin to Catchbasin Pipe						
Product Code	Quantity	Unit Price	Unit Cost	Total Price	Total Cost	Profit
RCP1538SWcon	0	100.80	48.26	\$0	\$0	\$0
Grand Total						
				Price	Cost	Profit
				\$30,714	\$16,027	\$14,687